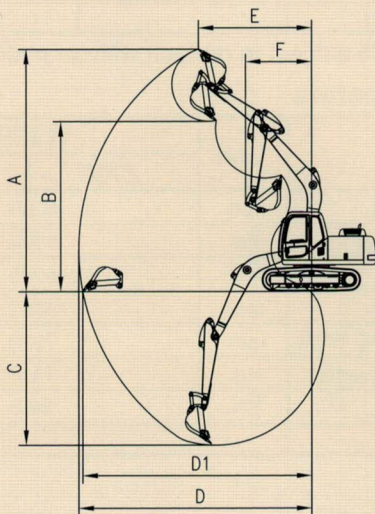
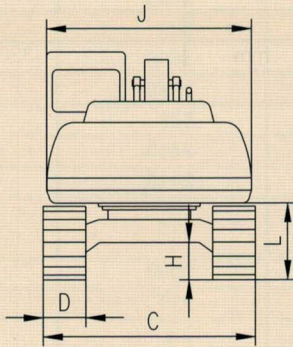
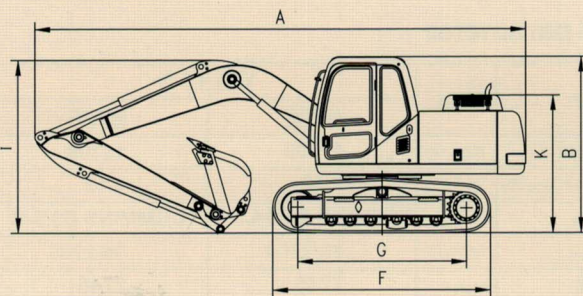


YC230LC-8



- ⊙ Enhanced working tools and attachments, reliable and solid structure.
- ⊙ All electrical equipment applied are imported and of high quality.
- ⊙ Long boom is available for this model to reach further working distance. Its performance ranks top among domestic products.



1.Dimension parameter

Code	Item	Unit	YC230LC-8	
			885C	885E
	Operating Weight	Kg	22	21.5
	Standard bucket capacity	m ³	1.05	1.05
	Name of engine		CUMMINS 6B5.9	CUMMINS QSB6.7
	Power of engine	KW/rpm	112/1950	116/2000
A	Machine length	mm	9540	9540
B	Machine height	mm	2960	2960
C	Overall width	mm	2990	2990
D	Crawler width	mm	600	600
F	Crawler length	mm	4446	4446
G	Wheel-base	mm	3650	3650
H	Min ground clearance	mm	479	479
I	Overall height	mm	3080	3080
J	Width of platform	mm	2700	2700
K	Height of engine hood	mm	2300	2300
L	Height from floor to platform	mm	1045	1045
	Width of bucket	mm	1310	1310
	Max.walking speed	Km/h	5.5	5.5
	Platform slewing speed	rpm	11.5	11.5

Note: Technical data are subject to replace without prior notice!

2.Operating parameters

Code	Item	Unit	YC230LC-8	
			885C	885E
A	Max. digging height	mm	9680	9680
B	Max. dumping height	mm	6770	6770
C	Max. digging depth	mm	6645	6645
D	Max. digging radius	mm	9935	9935
D1	Max. horizontal digging length	mm	9780	9780
E	Max. digging height radius	mm	5790	5790
F	Min. slewing radius	mm	3425	3425
	Max. digging force	KN	145	145