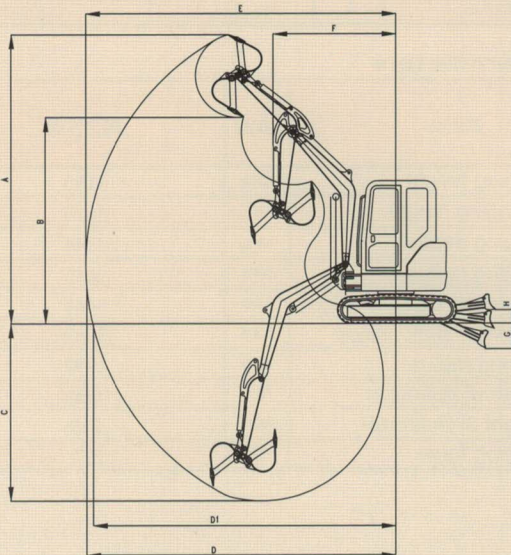
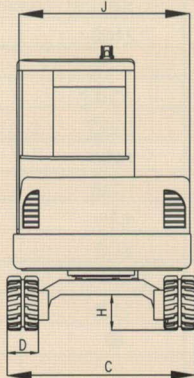
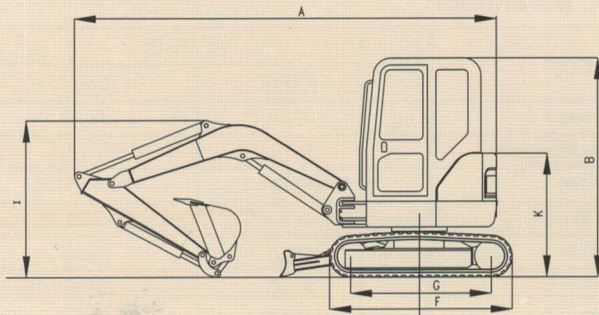


YC35SR



- ⊙ Equipped with strong power. High overall efficiency.
- ⊙ Small whirling radius. Equipped with strong power and advanced hydraulic system. Easy and smart operating. Equipped with flip cab to facilitate regular maintenance.

1.Dimension parameter

Code	Item	Unit	YC35SR
			835
	Operating Weight	Kg	3800
	Standard bucket capacity	m ³	0.12
	Name of engine		KUBOTA V2203
	Power of engine	KW/rpm	29.2/2200
A	Machine length	mm	4650
B	Machine height	mm	2550
C	Overall width	mm	1800
D	Crawler width	mm	300
F	Crawler length	mm	2100
G	Wheel-base	mm	1620
H	Min. ground clearance	mm	350
I	Overall height	mm	1510
J	Width of platform	mm	1740
K	Height of engine hood	mm	1425
	Width of bucket	mm	638
	Driving speed(low/high)	Km/h	2.4/4.3
	Rotating speed of platform	rpm	11~13
	Cab		●
	Canopy		●
	Deflection angle(left/right)	degree	54°/80°

Note: Technical data are subject to replace without prior notice!

2.Operating parameters

Code	Item	Unit	YC35SR
			835
A	Max. digging height	mm	5100
B	Max. Dumping height	mm	3630
C	Max. digging depth	mm	3120
D	Max. digging radius	mm	5460
D1	Max. horizontal digging length	mm	5340
E	Max. digging height radius	mm	2948
F	Min. slewing radius	mm	2210
G	Max. depth of Bulldozer	mm	450
H	Max. height of Bulldozer	mm	389
	Max. digging force	kN	25.7