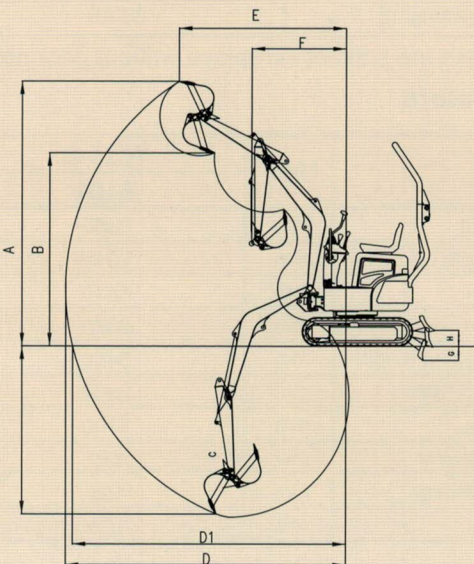
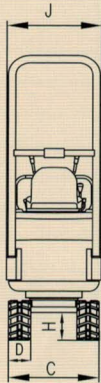
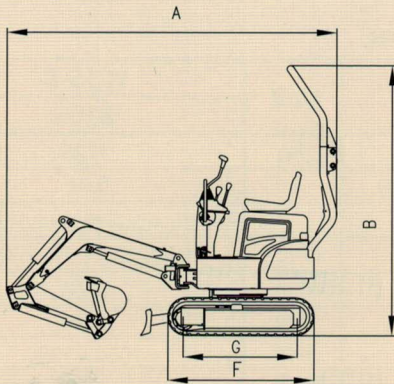


YC08-8



○ Equipped with adjustable chassis to improve working stability. Wide-open engine cover. Operator-oriented design enables comfortable operating.

○ Wide-open engine cover. Operator-oriented design enables comfortable operating.

1.Dimension parameter

Code	Item	Unit	YC08-8
	Operating Weight	kg	1030
	Standard bucket capacity	m ³	0.02
	Name of engine		YANMAR2TNV70-PSU
	Power of engine	kw/min-1	7.5/2400
A	Machine length	mm	2800
B	Machine height	mm	2319
C	Overall width	mm	764
D	Crawler width	mm	180
F	Crawler length	mm	1234
G	Wheel-base	mm	895
H	Min ground clearance	mm	155
J	Width of platform	mm	764
	Width of bucket	mm	350
	Walking speed(low/high)	km/h	1.7/2.7
	Platform slewing speed	rpm	10.8
	Cab		

2.Operating parameters

Code	Item	Unit	YC08-8
A	Max. digging height	mm	2737
B	Max. Dumping height	mm	1951
C	Max. digging depth	mm	1415
D	Max. digging radius	mm	2829
D1	Max. horizontal digging length	mm	2726
E	Max. digging height radius	mm	1527
F	Min. slewing radius	mm	1248
G	Max. depth of Bulldozer	mm	231
H	Max. height of Bulldozer	mm	267
	Max. digging force	kN	9.3